

## Table

### ⚠ WARNING

Small parts and sharp points may be present prior to assembly.

Adult assembly required.  
For ages 3 and up.

### Cleaning:

This unit can be cleaned with a mild soap and water solution. Be sure to wipe all water from the wood surface.

### Important:

Do not discard these instructions.  
Keep this copy in a safe place.

**Assembly Note:** To ease assembly, do not fully tighten screws during assembly process. After unit is fully assembled go back and tighten all screws.

### HARDWARE

1 = 8



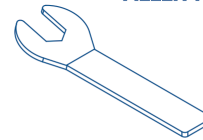
2 = 8



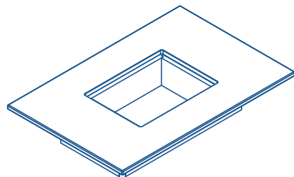
3 = 8



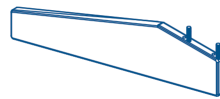
ALLEN KEY (1)



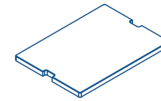
### PARTS LIST



A = 1



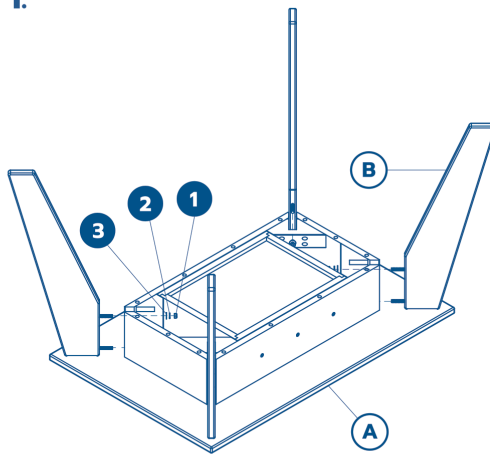
B = 4



C = 1

### ASSEMBLY DIAGRAM

1.



2.

