



Play Stools

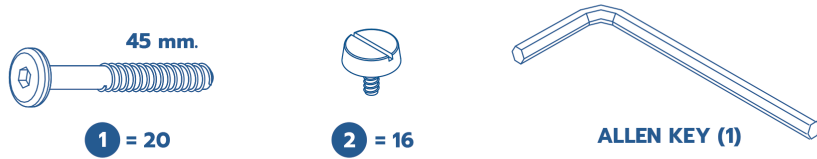
⚠ WARNING
 Small parts and sharp points may be present prior to assembly.
 Adult assembly required.
 For ages 3 and up.

Cleaning:
 This unit can be cleaned with a mild soap and water solution. Be sure to wipe all water from the wood surface.

Important:
 Do not discard these instructions.
 Keep this copy in a safe place.

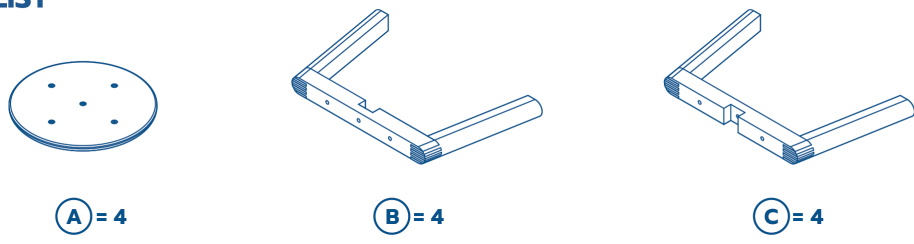
Assembly Note: To ease assembly, do not fully tighten screws during assembly process. After unit is fully assembled go back and tighten all screws.

HARDWARE



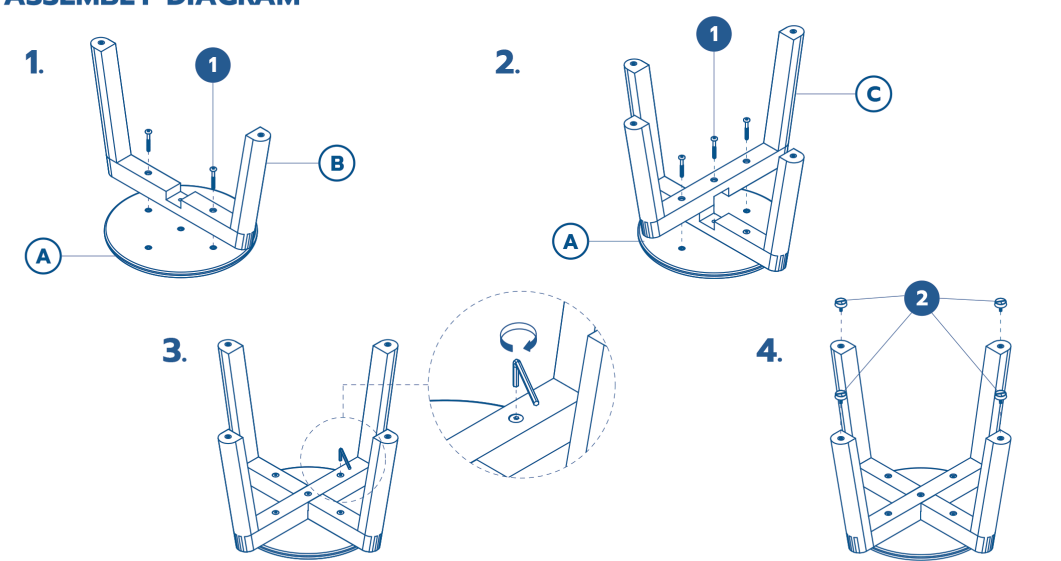
45 mm.
1 = 20 **2 = 16** ALLEN KEY (1)

PARTS LIST



A = 4 **B = 4** **C = 4**

ASSEMBLY DIAGRAM



1. Attach side rails (B) to bases (A) using screws (1).
 2. Attach cross-braces (C) to the side rails (B) using screws (1).
 3. Tighten screws (1) and attach the second set of side rails (B) to the bases (A).
 4. Tighten screws (2) to secure the cross-braces (C) to the second set of side rails (B).