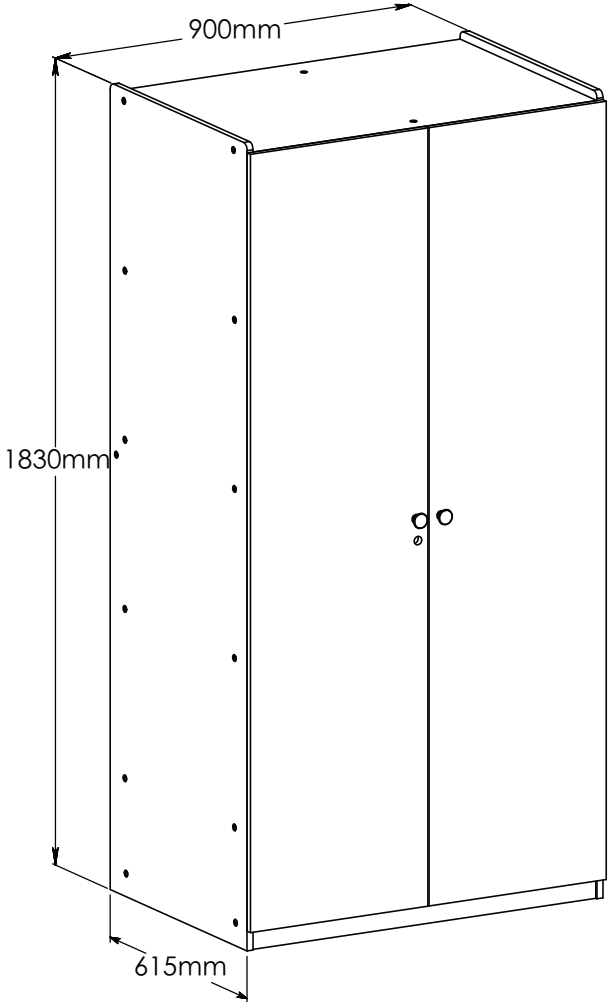




Adult

Storage

Mobile Teacher's Locking Storage Cabinet



WARNING
Adult assembly required due to the presence of small parts, sharp edges and/or sharp points.

CLEANING AND MAINTENANCE

Thank you for your purchase. Periodic cleaning and maintenance will ensure that your product will provide many years of service.

Cleaning:

A soft cloth and a mixture of mild non-abrasive soap and water is usually enough to clean heavily soiled deposits from our products. Cleaners should be used as a last resort and be used only following the warnings and directions on the cleaner.

To disinfect, Add 1/4 cup of bleach to 1 gallon of cool water or for a smaller amount you can mix 1 tablespoon bleach to 1 quart cool water.

Keep the bleach solution you mix each day in a cool place out of direct sunlight and out of the reach of children.

PLEASE NOTE: A solution of bleach and water loses its strength very quickly and easily. It is weakened by organic material, evaporation, heat and sunlight. Therefore, bleach solution should be mixed fresh each day to make sure it is effective. Any leftover solution should be discarded at the end of the day. NEVER mix bleach with anything but fresh tap water!

Maintenance:

Keep tools that were supplied with original packaging on hand for routine maintenance. Check bolts and screws monthly to ensure the tightness.

Lightly oil in moderation any moving parts to ensure proper movement and operation. Be sure to properly clean up any excessive oil.

Questions, comments or concerns....

Please contact our Customer Service department by email at customerservice@childrensfactory.com

Adult



Active Play

Storage

Mobile Teacher's Locking Storage Cabinet

Here's What You Get!

Check shipping box contents against Parts & Hardware List prior to assembly for correct parts and quantities.

If receiving this unit already partially-assembled, please skip the assembly steps.

Hardware

32X M6x25mm	2X M4	7X M4x15mm	12X M3.5x15mm	2X M4x25mm	7X M6	<p>6X E Hinge</p>	
A Bolt	B Allen Key	C Screw	D Screw	F Bolt	G Flat Washer		<p>1X K Anti-tip Kit</p>
	2X H Handle		2X J Key				

WARNING
Adult assembly required due to the presence of small parts, sharp edges and/or sharp points.

Adult



Active Play

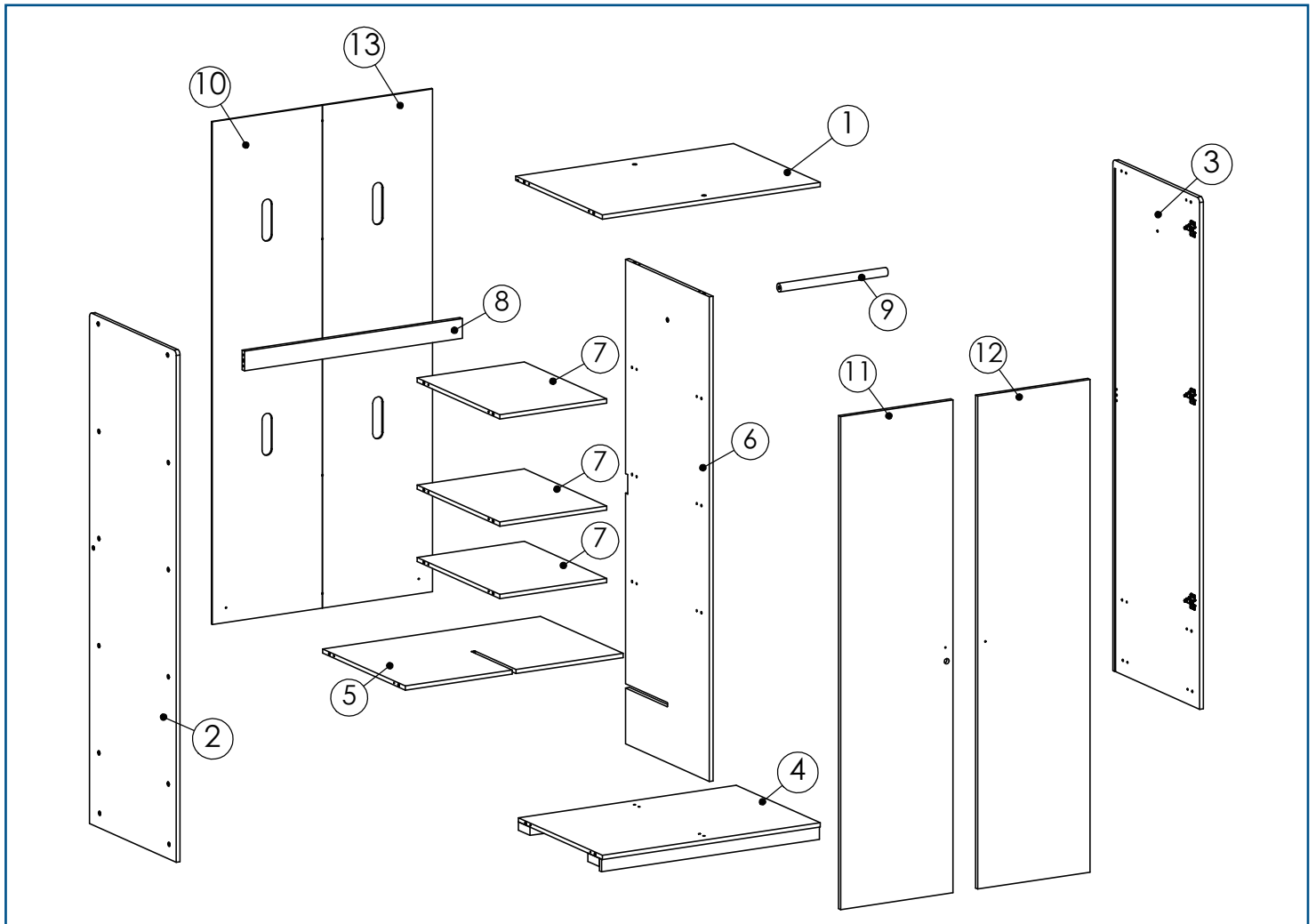
Storage

Mobile Teacher's Locking Storage Cabinet

Here's What You Get! (continued)

Check shipping box contents against Parts & Hardware List prior to assembly for correct parts and quantities.

Parts

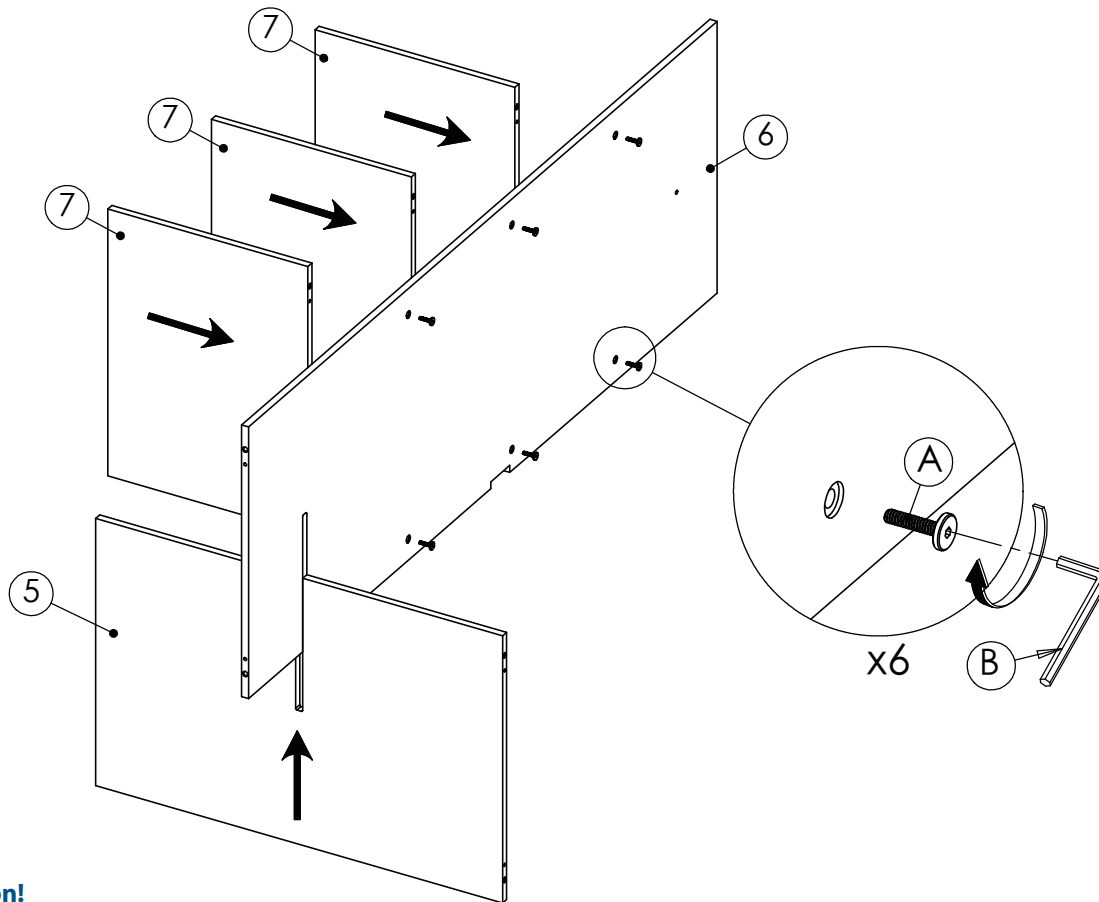


WARNING
Adult assembly required due to the presence of small parts, sharp edges and/or sharp points.

ASSEMBLY INSTRUCTIONS

Mobile Teacher's Locking Storage Cabinet (continued)

Assemble by matching Parts & Hardware List letter identifiers and quantities with Assembly Diagrams.



Attention!

- The sharp tip of screws may scratch hands.
- Tighten all screws before use.
- Do not OVER tighten screws.
- Electric screwdrivers should NOT be used for assembly.
- Be sure to remove packaging, all rubber bands, wire ties and tags or fastenings from the product. They are not part of this product and must be removed and discarded before use.

Keep this packaging for future reference since it contains important information. Adult assembly required. Read enclosed instructions before use. **SPECIFICATIONS, COLORS AND CONTENTS MAY VARY FROM ILLUSTRATIONS.** Young children in play are unaware of potential dangers and hazards, therefore responsible adult supervision is essential.

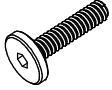
ASSEMBLY INSTRUCTIONS

Mobile Teacher's Locking Storage Cabinet (continued)

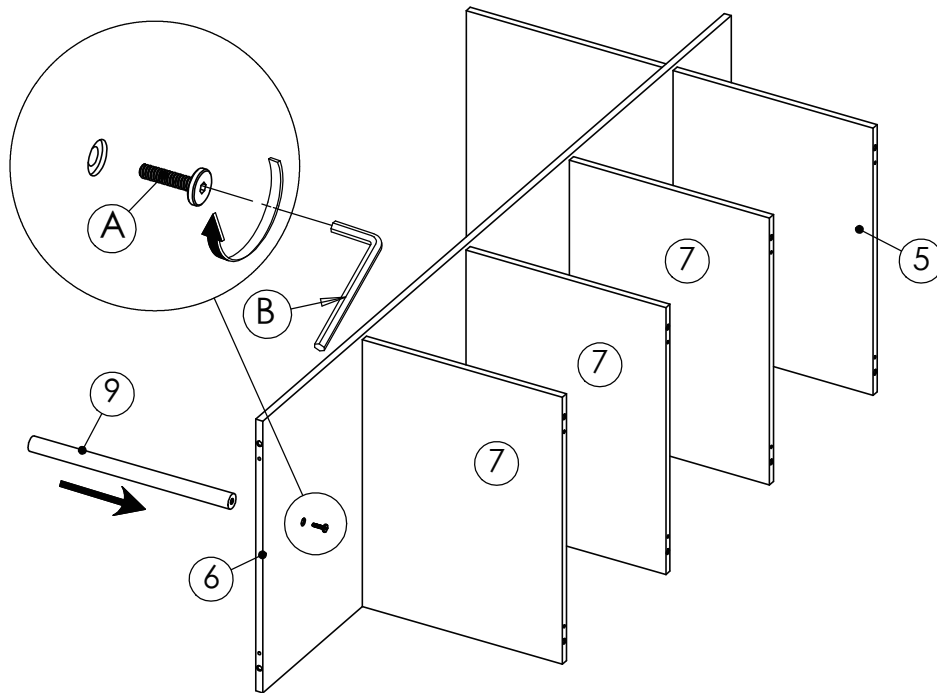
Assemble by matching Parts & Hardware List letter identifiers and quantities with Assembly Diagrams.

2

A x 1



B x 2



Attention!

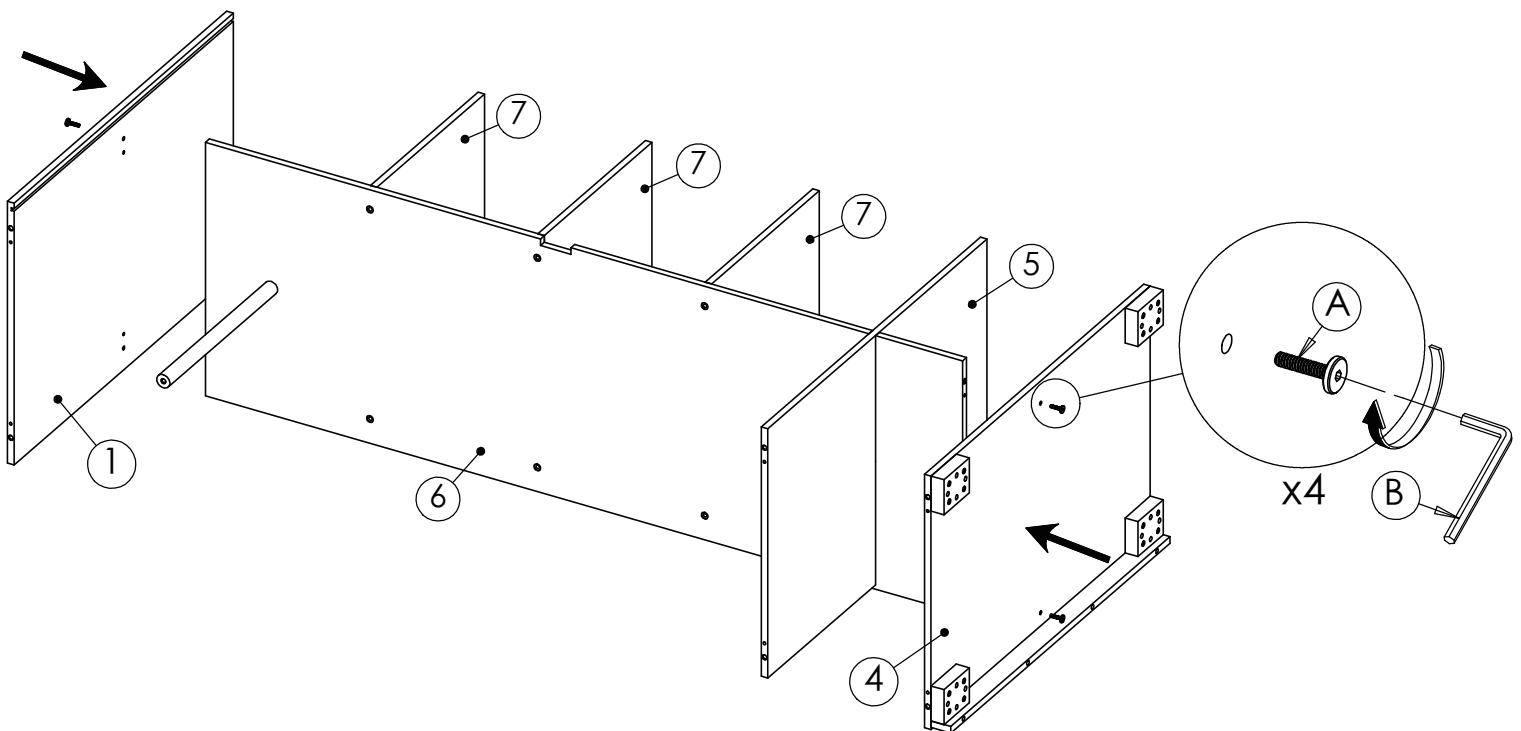
- The sharp tip of screws may scratch hands.
- Tighten all screws before use.
- Do not OVER tighten screws.
- Electric screwdrivers should NOT be used for assembly.
- Be sure to remove packaging, all rubber bands, wire ties and tags or fastenings from the product. They are not part of this product and must be removed and discarded before use.

Keep this packaging for future reference since it contains important information. Adult assembly required. Read enclosed instructions before use. **SPECIFICATIONS, COLORS AND CONTENTS MAY VARY FROM ILLUSTRATIONS.** Young children in play are unaware of potential dangers and hazards, therefore responsible adult supervision is essential.

ASSEMBLY INSTRUCTIONS

Mobile Teacher's Locking Storage Cabinet (continued)

Assemble by matching Parts & Hardware List letter identifiers and quantities with Assembly Diagrams.



Attention!

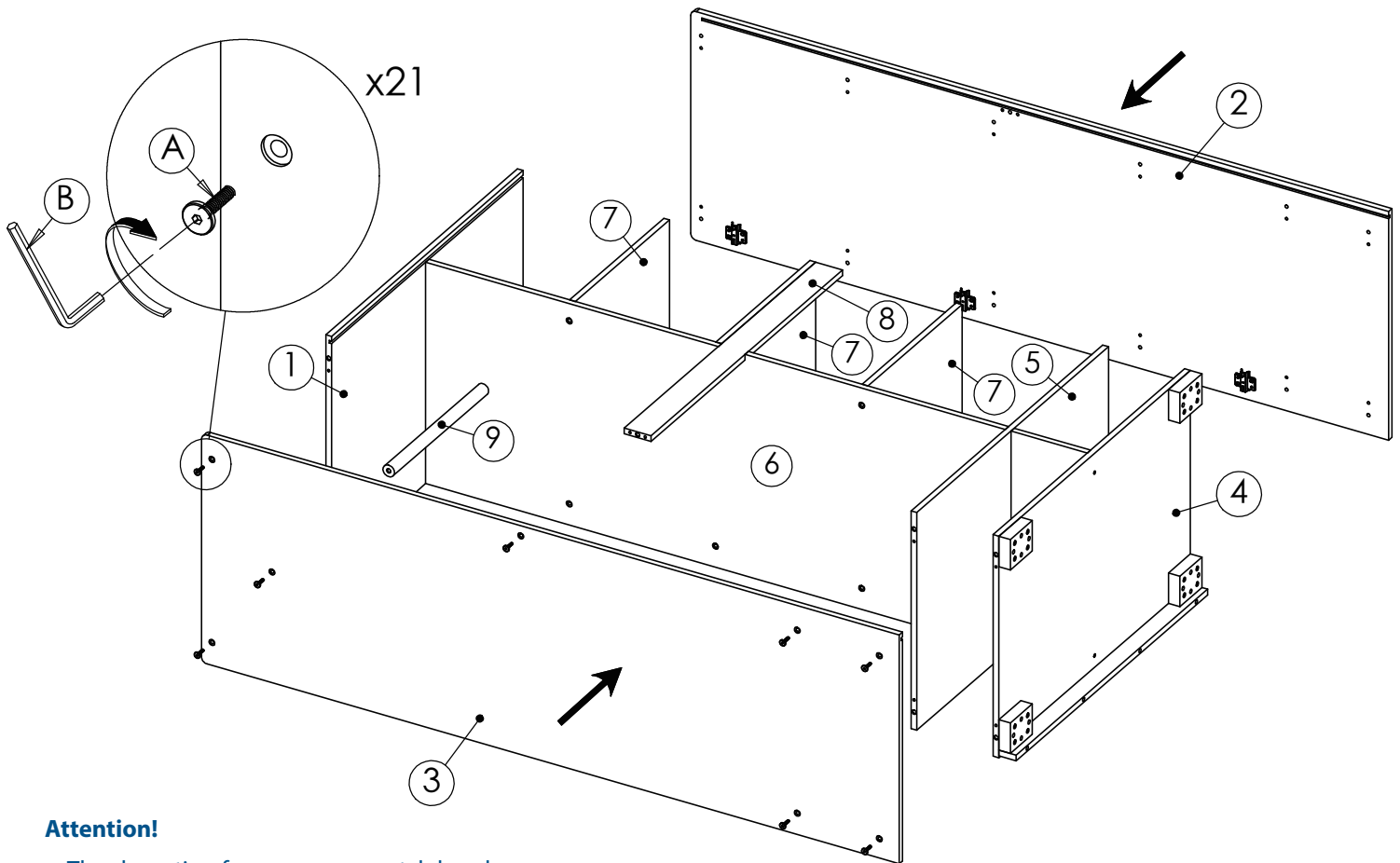
- The sharp tip of screws may scratch hands.
- Tighten all screws before use.
- Do not OVER tighten screws.
- Electric screwdrivers should NOT be used for assembly.
- Be sure to remove packaging, all rubber bands, wire ties and tags or fastenings from the product. They are not part of this product and must be removed and discarded before use.

Keep this packaging for future reference since it contains important information. Adult assembly required. Read enclosed instructions before use. **SPECIFICATIONS, COLORS AND CONTENTS MAY VARY FROM ILLUSTRATIONS.** Young children in play are unaware of potential dangers and hazards, therefore responsible adult supervision is essential.

ASSEMBLY INSTRUCTIONS

Mobile Teacher's Locking Storage Cabinet (continued)

Assemble by matching Parts & Hardware List letter identifiers and quantities with Assembly Diagrams.



Attention!

- The sharp tip of screws may scratch hands.
- Tighten all screws before use.
- Do not OVER tighten screws.
- Electric screwdrivers should NOT be used for assembly.
- Be sure to remove packaging, all rubber bands, wire ties and tags or fastenings from the product. They are not part of this product and must be removed and discarded before use.

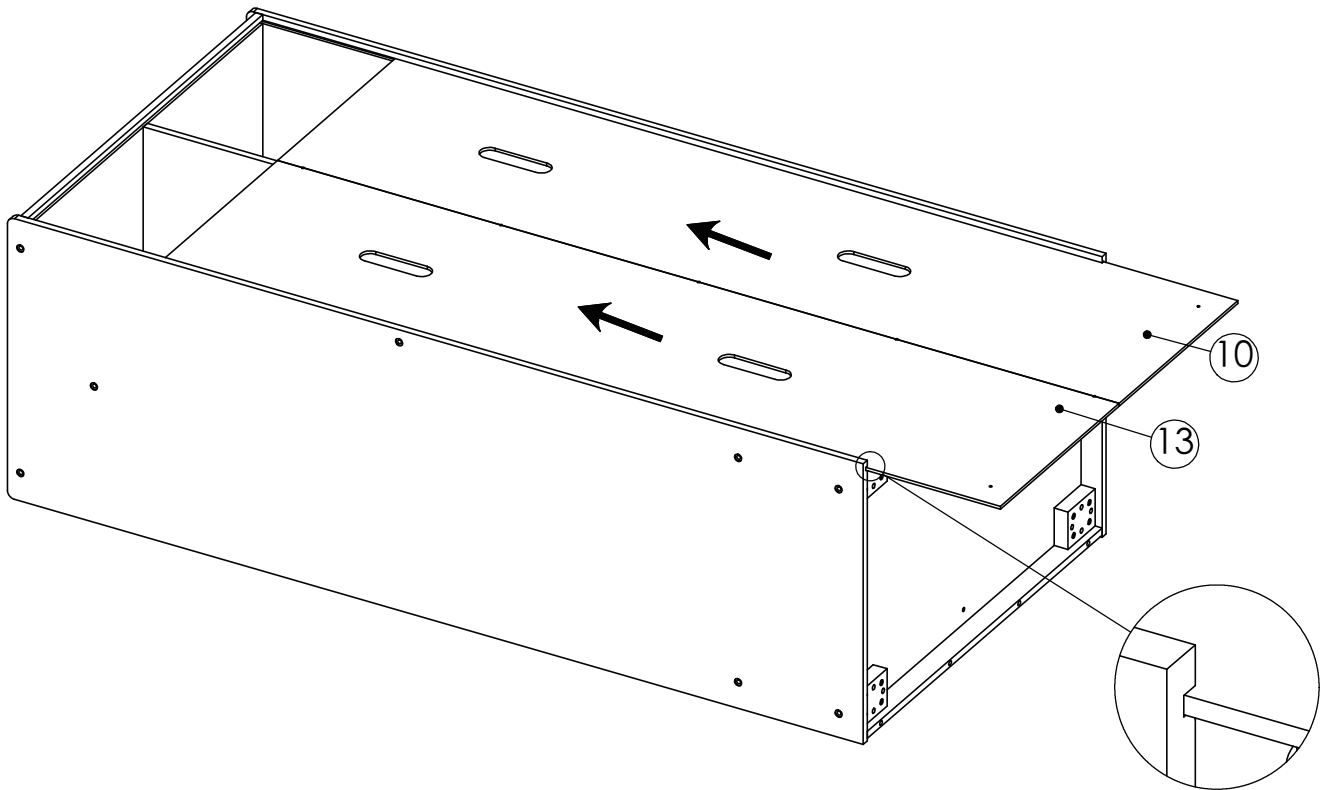
Keep this packaging for future reference since it contains important information. Adult assembly required. Read enclosed instructions before use. **SPECIFICATIONS, COLORS AND CONTENTS MAY VARY FROM ILLUSTRATIONS.** Young children in play are unaware of potential dangers and hazards, therefore responsible adult supervision is essential.

ASSEMBLY INSTRUCTIONS

Mobile Teacher's Locking Storage Cabinet (continued)

Assemble by matching Parts & Hardware List letter identifiers and quantities with Assembly Diagrams.

5



Attention!

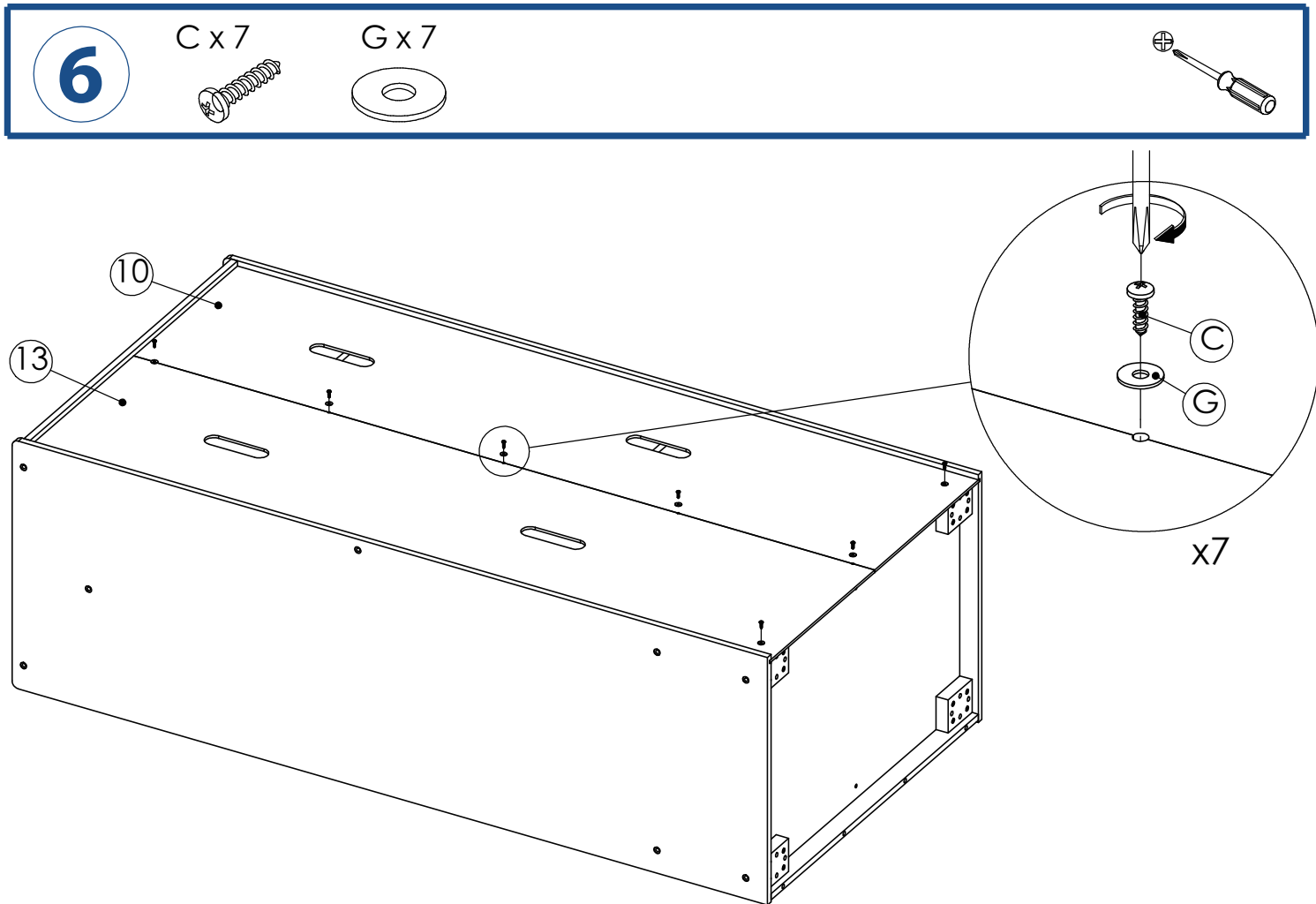
- The sharp tip of screws may scratch hands.
- Tighten all screws before use.
- Do not OVER tighten screws.
- Electric screwdrivers should NOT be used for assembly.
- Be sure to remove packaging, all rubber bands, wire ties and tags or fastenings from the product. They are not part of this product and must be removed and discarded before use.

Keep this packaging for future reference since it contains important information. Adult assembly required. Read enclosed instructions before use. **SPECIFICATIONS, COLORS AND CONTENTS MAY VARY FROM ILLUSTRATIONS.** Young children in play are unaware of potential dangers and hazards, therefore responsible adult supervision is essential.

ASSEMBLY INSTRUCTIONS

Mobile Teacher's Locking Storage Cabinet (continued)

Assemble by matching Parts & Hardware List letter identifiers and quantities with Assembly Diagrams.



Attention!

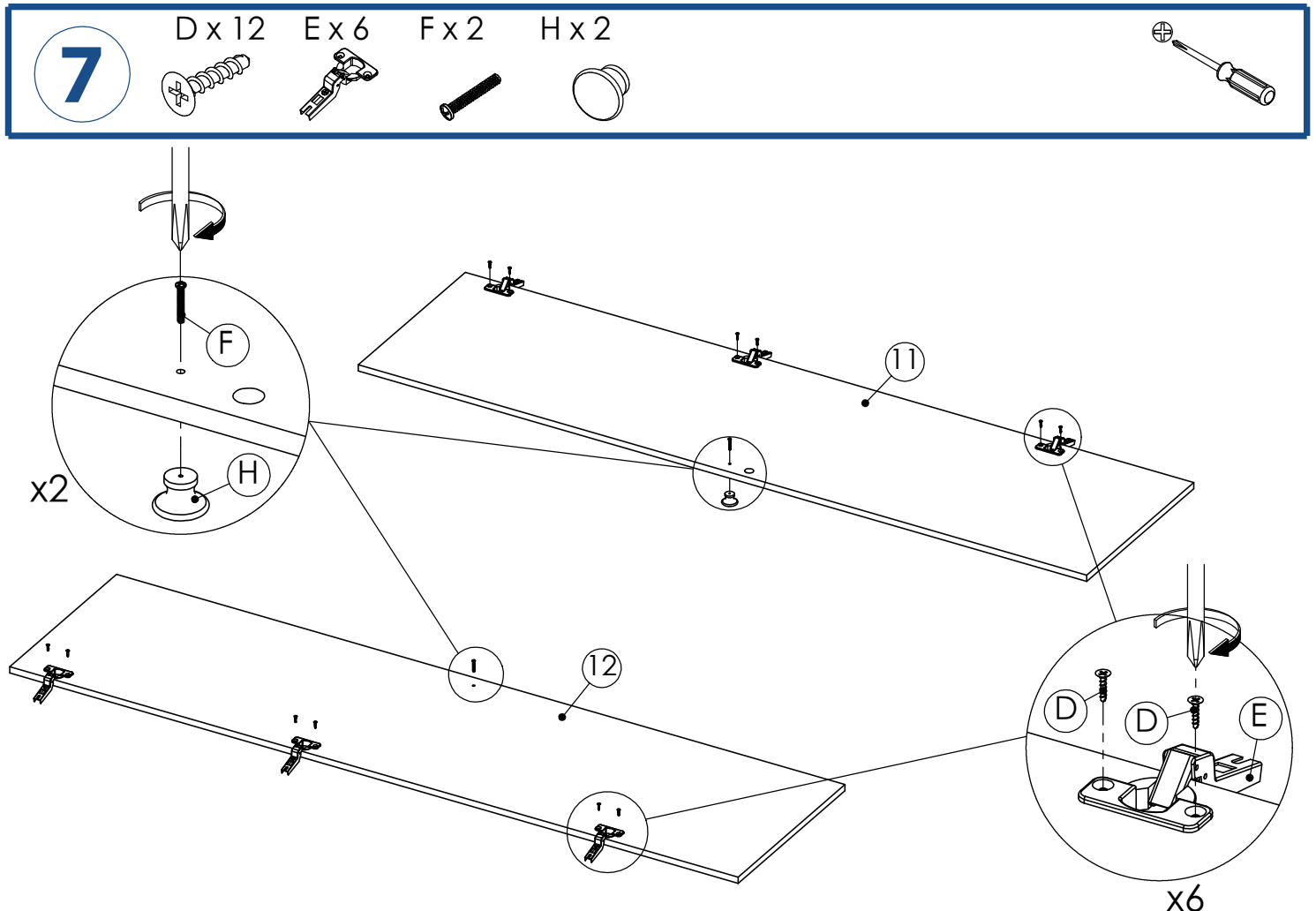
- The sharp tip of screws may scratch hands.
- Tighten all screws before use.
- Do not OVER tighten screws.
- Electric screwdrivers should NOT be used for assembly.
- Be sure to remove packaging, all rubber bands, wire ties and tags or fastenings from the product. They are not part of this product and must be removed and discarded before use.

Keep this packaging for future reference since it contains important information. Adult assembly required. Read enclosed instructions before use. **SPECIFICATIONS, COLORS AND CONTENTS MAY VARY FROM ILLUSTRATIONS.** Young children in play are unaware of potential dangers and hazards, therefore responsible adult supervision is essential.

ASSEMBLY INSTRUCTIONS

Mobile Teacher's Locking Storage Cabinet (continued)

Assemble by matching Parts & Hardware List letter identifiers and quantities with Assembly Diagrams.



Attention!

- The sharp tip of screws may scratch hands.
- Tighten all screws before use.
- Do not OVER tighten screws.
- Electric screwdrivers should NOT be used for assembly.
- Be sure to remove packaging, all rubber bands, wire ties and tags or fastenings from the product. They are not part of this product and must be removed and discarded before use.

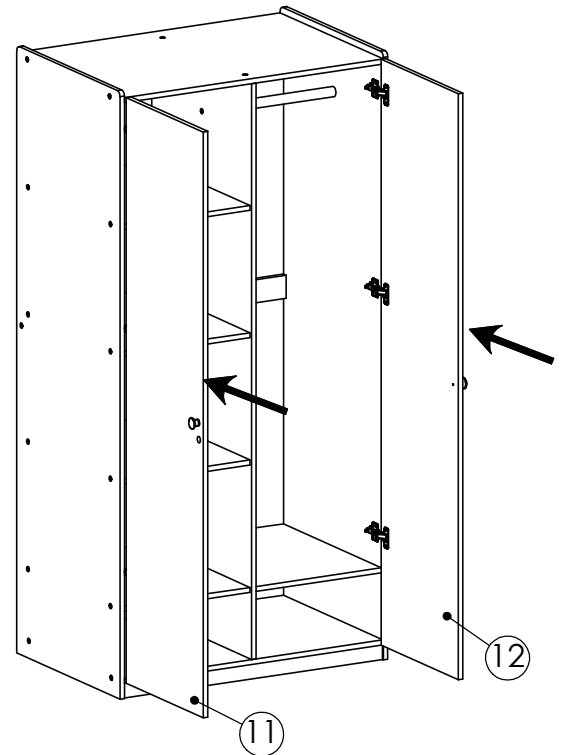
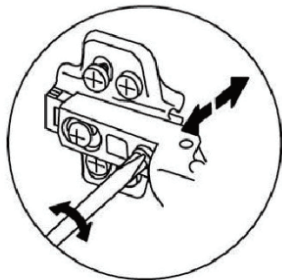
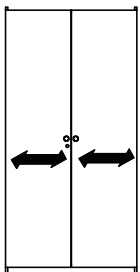
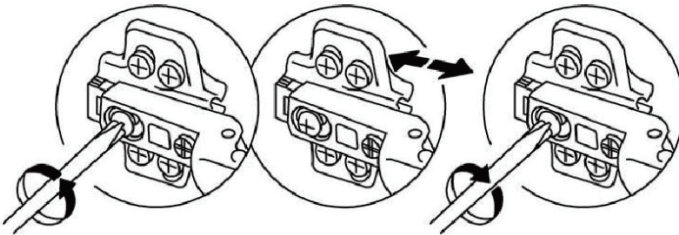
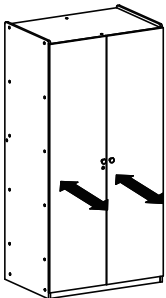
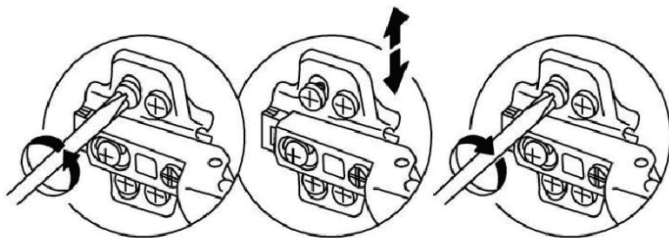
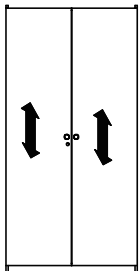
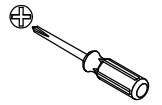
Keep this packaging for future reference since it contains important information. Adult assembly required. Read enclosed instructions before use. **SPECIFICATIONS, COLORS AND CONTENTS MAY VARY FROM ILLUSTRATIONS.** Young children in play are unaware of potential dangers and hazards, therefore responsible adult supervision is essential.

ASSEMBLY INSTRUCTIONS

Mobile Teacher's Locking Storage Cabinet

Assemble by matching Parts & Hardware List letter identifiers and quantities with Assembly Diagrams.

8



Attention!

- The sharp tip of screws may scratch hands.
- Tighten all screws before use.
- Do not OVER tighten screws.
- Electric screwdrivers should NOT be used for assembly.
- Be sure to remove packaging, all rubber bands, wire ties and tags or fastenings from the product. They are not part of this product and must be removed and discarded before use.

Keep this packaging for future reference since it contains important information. Adult assembly required. Read enclosed instructions before use. **SPECIFICATIONS, COLORS AND CONTENTS MAY VARY FROM ILLUSTRATIONS.** Young children in play are unaware of potential dangers and hazards, therefore responsible adult supervision is essential.

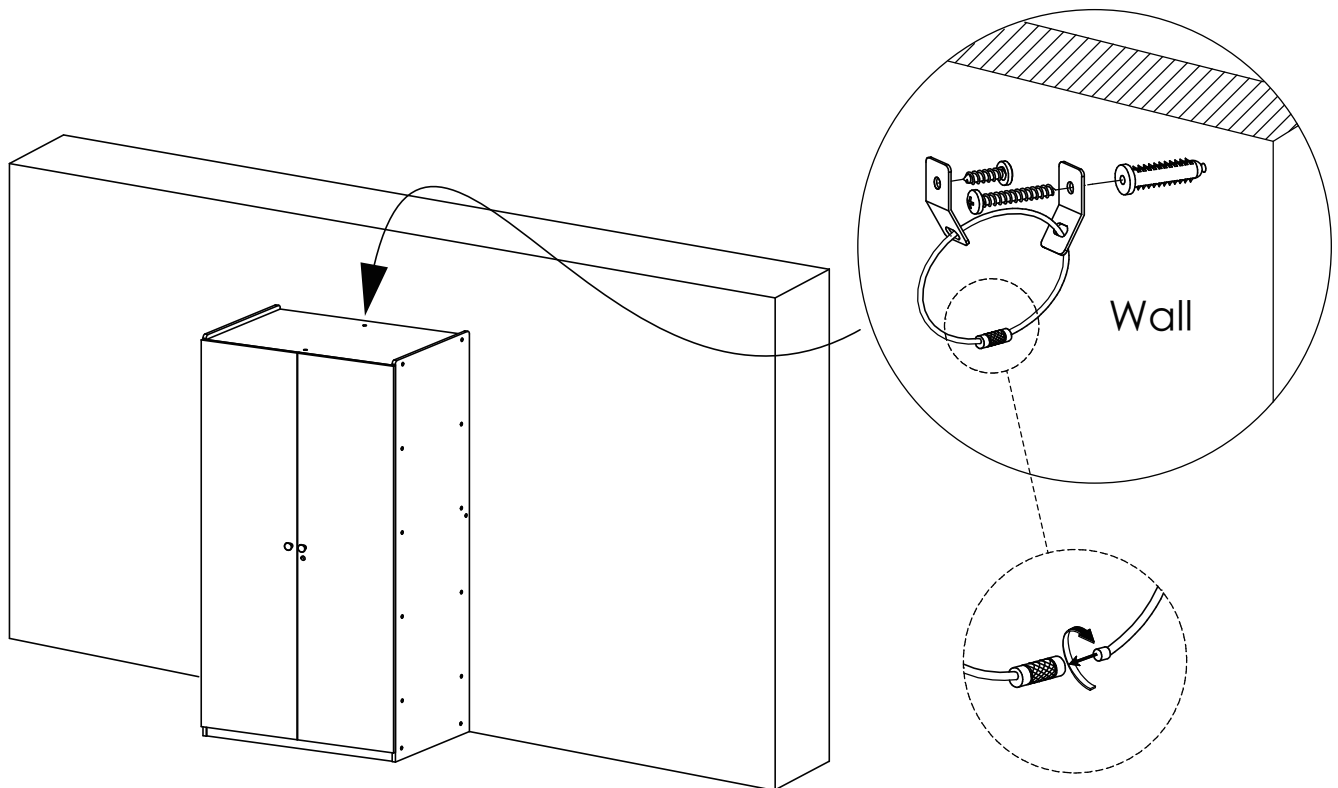
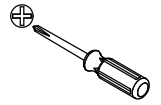
ASSEMBLY INSTRUCTIONS

Mobile Teacher's Locking Storage Cabinet

Assemble by matching Parts & Hardware List letter identifiers and quantities with Assembly Diagrams.

9

K x 1



Attention!

- The sharp tip of screws may scratch hands.
- Tighten all screws before use.
- Do not OVER tighten screws.
- Electric screwdrivers should NOT be used for assembly.
- Be sure to remove packaging, all rubber bands, wire ties and tags or fastenings from the product. They are not part of this product and must be removed and discarded before use.

Keep this packaging for future reference since it contains important information. Adult assembly required. Read enclosed instructions before use. **SPECIFICATIONS, COLORS AND CONTENTS MAY VARY FROM ILLUSTRATIONS.** Young children in play are unaware of potential dangers and hazards, therefore responsible adult supervision is essential.