

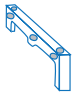





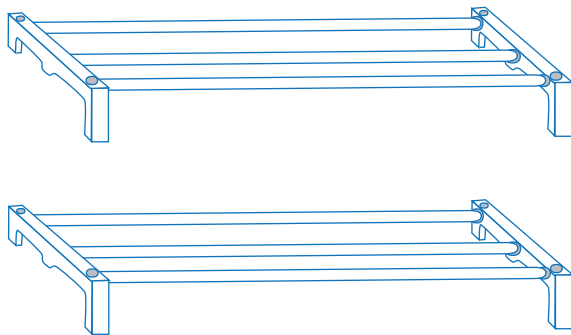


Mobile Greenhouse

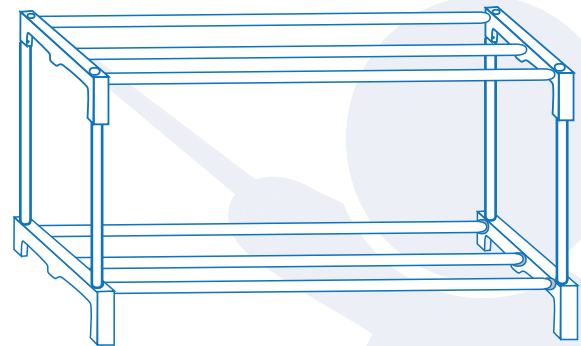
						
A Short Tube (12")	B Long Tube (27")	C Side	D Top Arch	E Wire Shelf	F Caster	G Vinyl Cover
8 pcs	6 pcs	6 pcs	2 pcs	2 pcs	4 pcs (2 locking)	1 pc

Your new Greenhouse is perfect for growing a wide assortment of potted plants! Each shelf can hold up to 24 four-inch pots, or 20 pounds of supplies.

Locking casters make it easy to move the greenhouse to sunny spots indoors or out. Use the vinyl cover to maintain humidity as needed and protect plants from chilly temperatures.

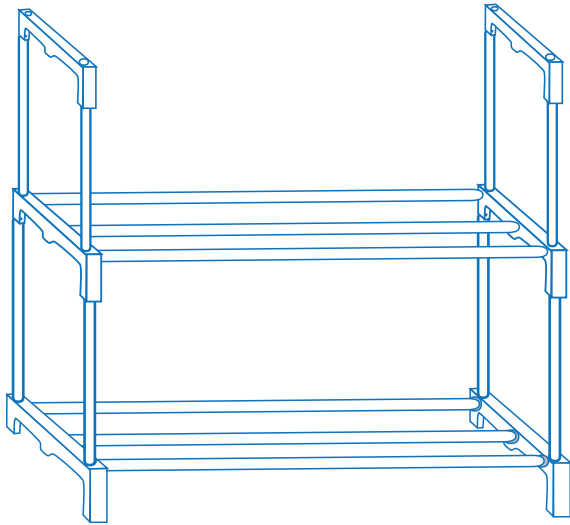


1. Insert the Long Tubes into the holes of the Side Supports as shown to create two shelves. Push together firmly to secure.

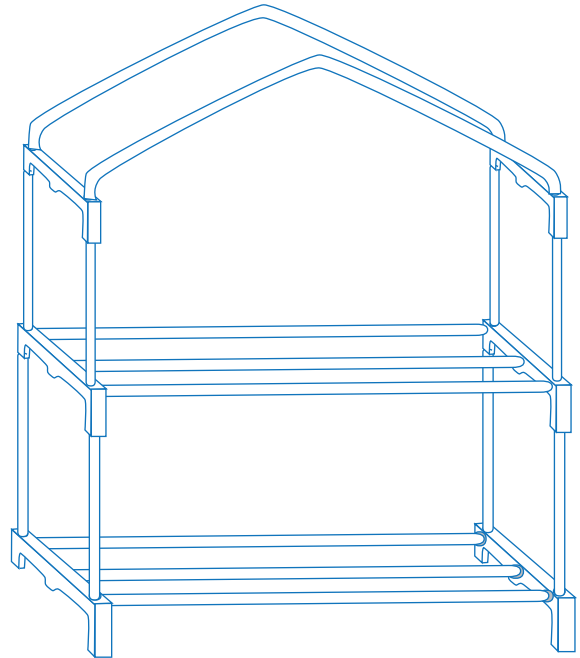


2. Use 4 Short Tubes to connect the two Shelves.

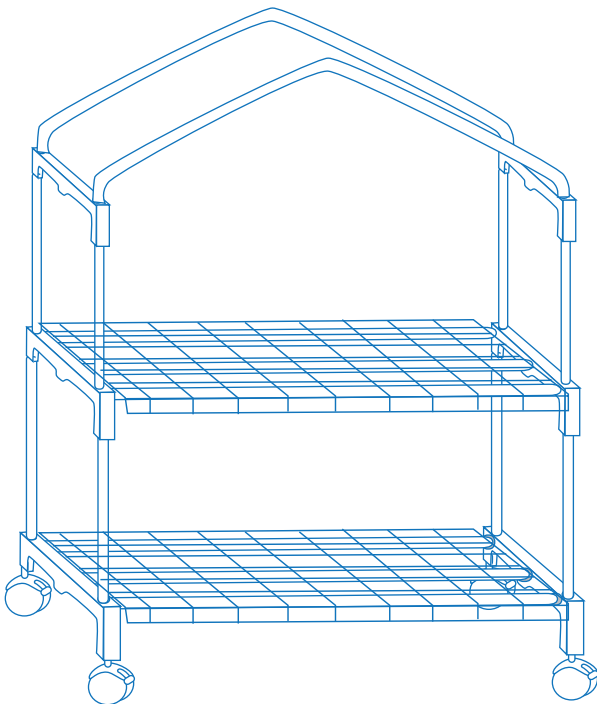
Mobile Greenhouse (continued)



3. Add two Short Tubes and a Side Support to each side as shown.



4. Insert the Top Arches into the Side Supports.



5. Insert the Casters into the bottom of the Side Supports. Be sure to put the two locking casters on the same side.

Slide the two Wire Shelves into place.

6. Fit the vinyl cover over the top and tie in place at each bottom corner. Your Mobile Greenhouse is ready for growing!

#GREENGRO