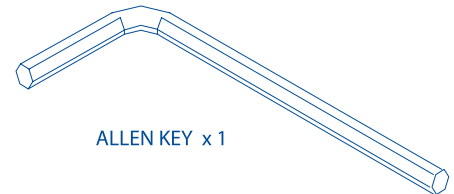
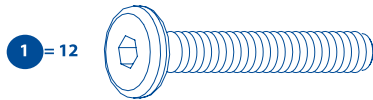
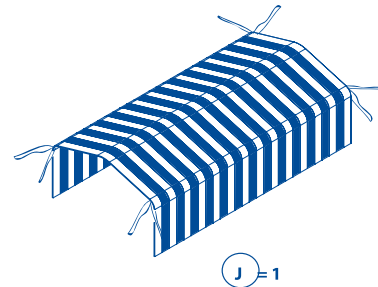
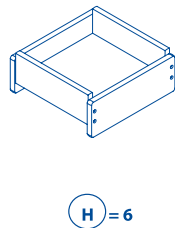
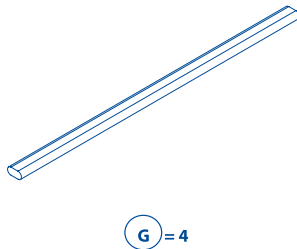
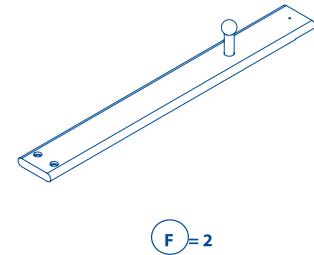
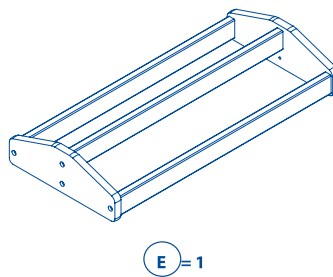
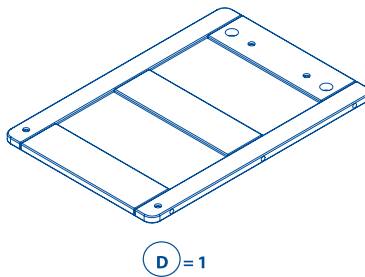
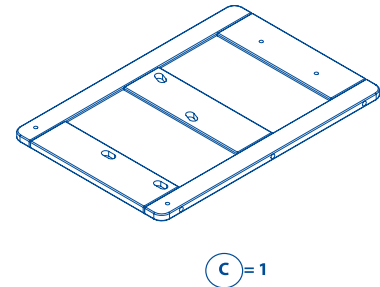
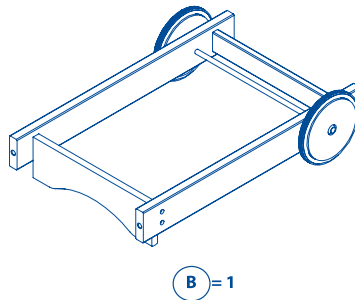
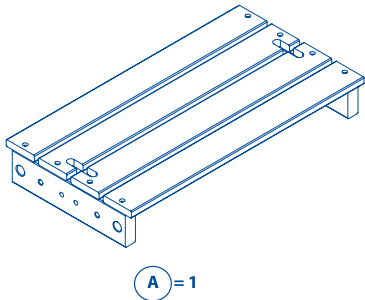


Mobile Market Stand

HARDWARE



PARTS LIST



IMPORTANT

Do not discard these instructions.
Keep this copy in a safe place.

For Ages 3 and Up

WARNING

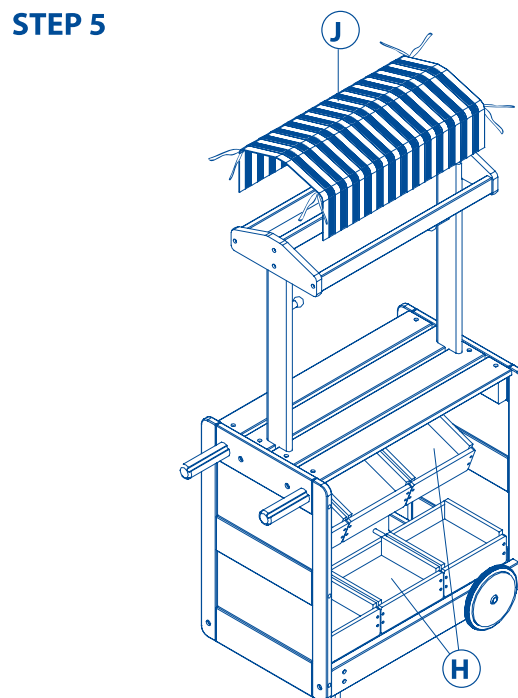
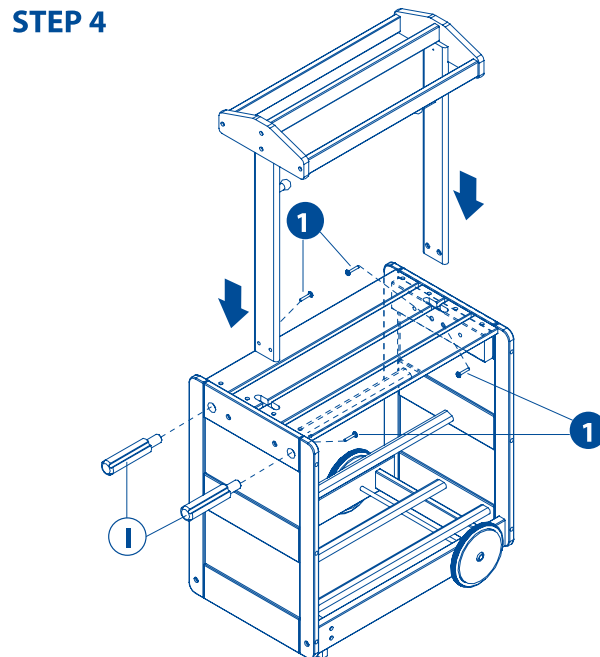
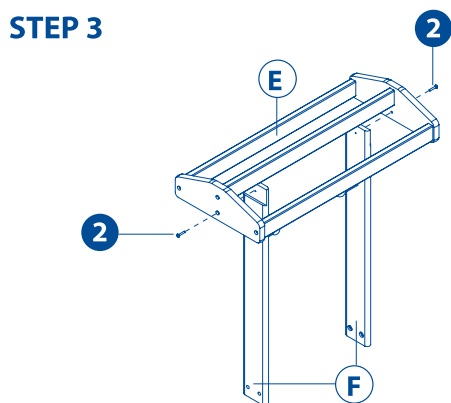
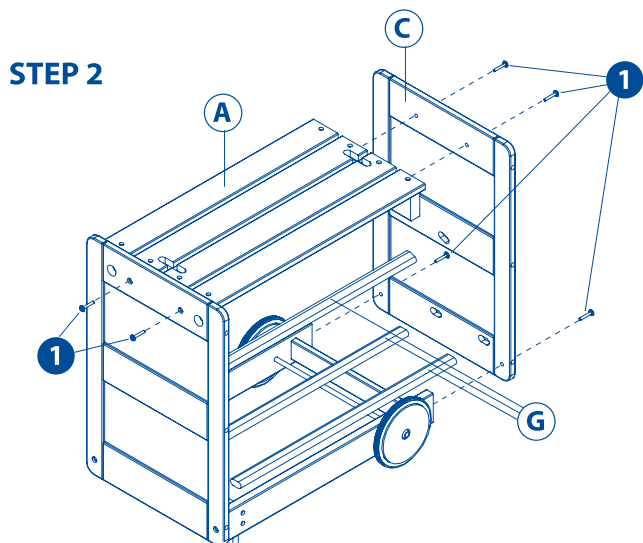
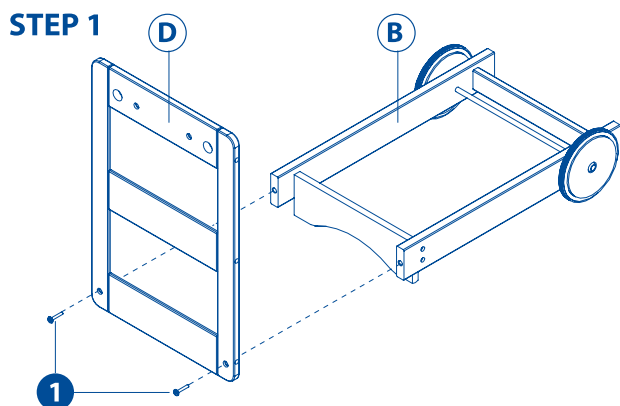
Adult assembly required due to the presence of small parts, sharp edges, and/or sharp points.

ASSEMBLY INSTRUCTIONS



Mobile Market Stand (continued)

ASSEMBLY NOTE: To ease assembly, do not fully tighten screws during assembly process. After unit is fully assembled, go back and tighten all screws.



CLEANING: This unit can be cleaned with a mild soap and water solution. Be sure to wipe all water from the wood surface.