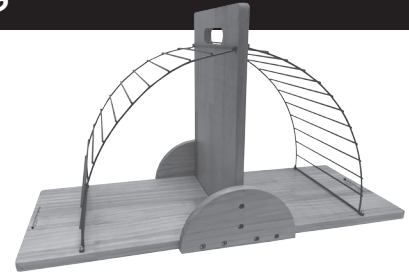


Double Clipboard Stand Assembly Instructions

Congratulations on your purchase of this **Double Clipboard Stand**.
 (Adult assembly required.)

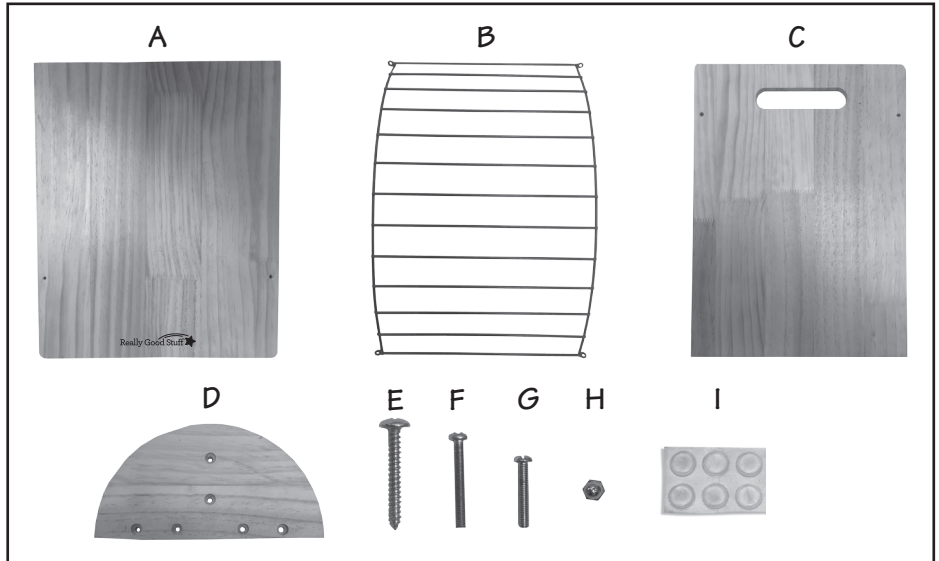
Before you begin, please refer to the Parts List to ensure that all materials needed for assembly have been received. You will need a Phillips Screwdriver for assembly.



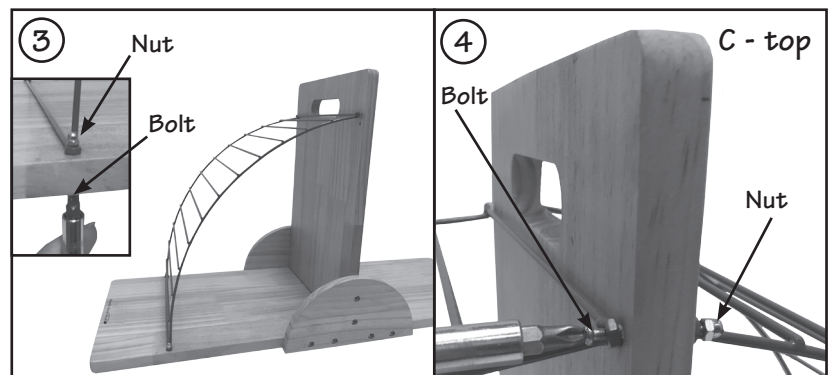
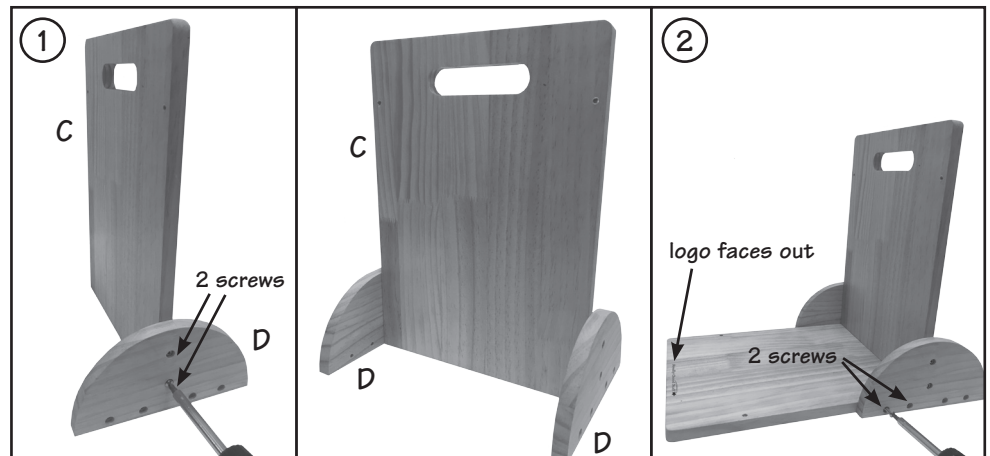
This Really Good Stuff® product includes:

- A** – 2 Base pieces
- B** – 2 Wire racks
- C** – 1 Vertical divider
- D** – 2 Side panels
- E** – 12 Long screws
- F** – 2 Medium bolts
- G** – 4 Short bolts
- H** – 6 nuts
- I** – 6 Rubber feet

You may also have received spare parts.



- ① Attach the two side panels **D** to the vertical divider **C** using two screws **E** each. Make sure the indented holes on the side panels are facing out.
- ② Attach a base piece **A** to the left side of the vertical divider **C** by putting 2 screws **E** each through the indented holes on the side panels **D**. The Really Good Stuff logo should face up and out to the left. Repeat on the right side.
- ③ Attach a wire rack **B** to bottom left side of the unit with the 2 short bolts **G** and 2 nuts **H**, forming an arc. Bolts should be inserted from the bottom indented hole side, while nuts are screwed from the wire rack side. Repeat for the bottom right side.
- ④ Attach the wire racks to the top of the vertical divider **C** with the 2 medium bolts **F** going through the left side and the nuts **H** attached to the screw on the right. Attach the rubber feet **I** to the bottom of the unit before use.



All instructional guides can be found online.