


 Excellerations®

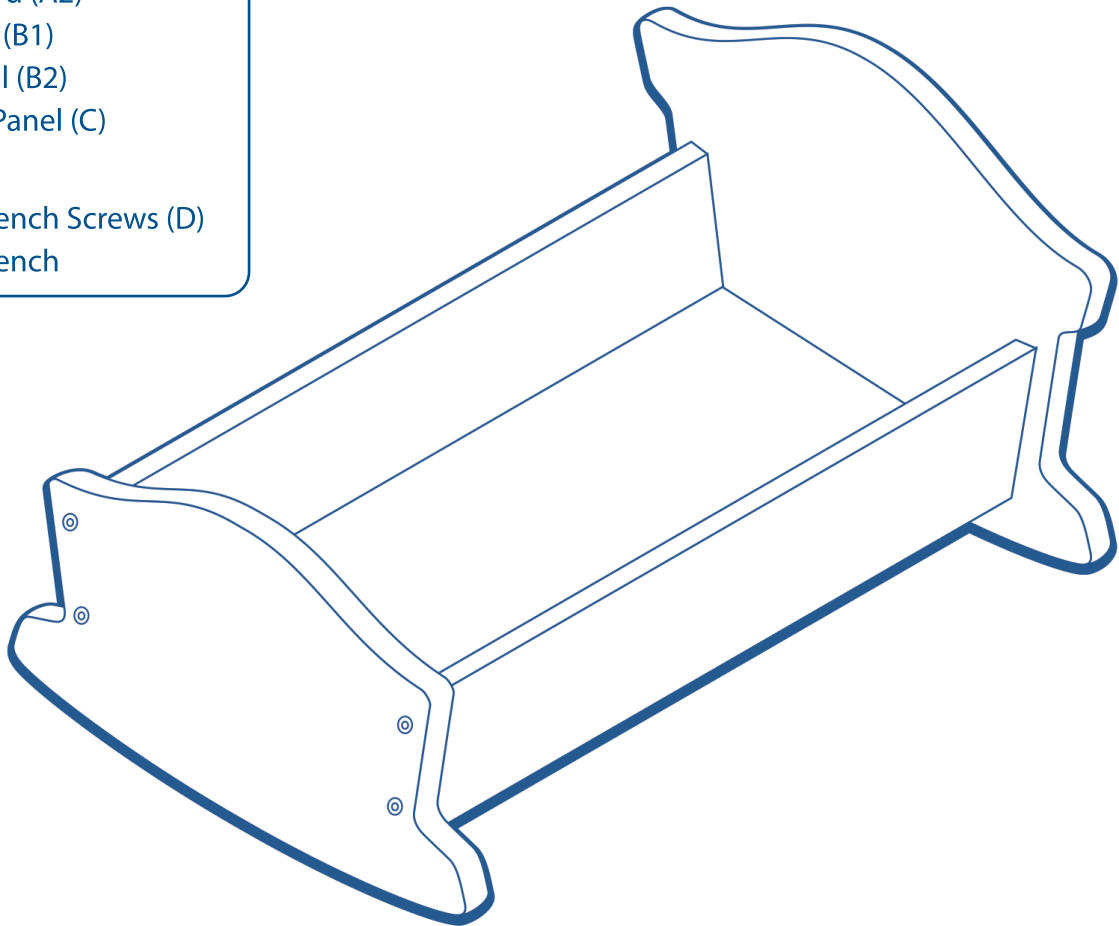

Wooden Doll Cradle

Here's What You Get!

- 1 Headboard (A1)
- 1 Footboard (A2)
- 1 Left Rail (B1)
- 1 Right Rail (B2)
- 1 Bottom Panel (C)

Hardware:

- 8 Allen Wrench Screws (D)
- 1 Allen Wrench



Maintenance:

Periodically inspect unit to make sure all screws are securely in place.

Surfaces are very easy to clean and can be wiped or sprayed with diluted bleach solution to disinfect. See the frequently recommended "recipe" below.

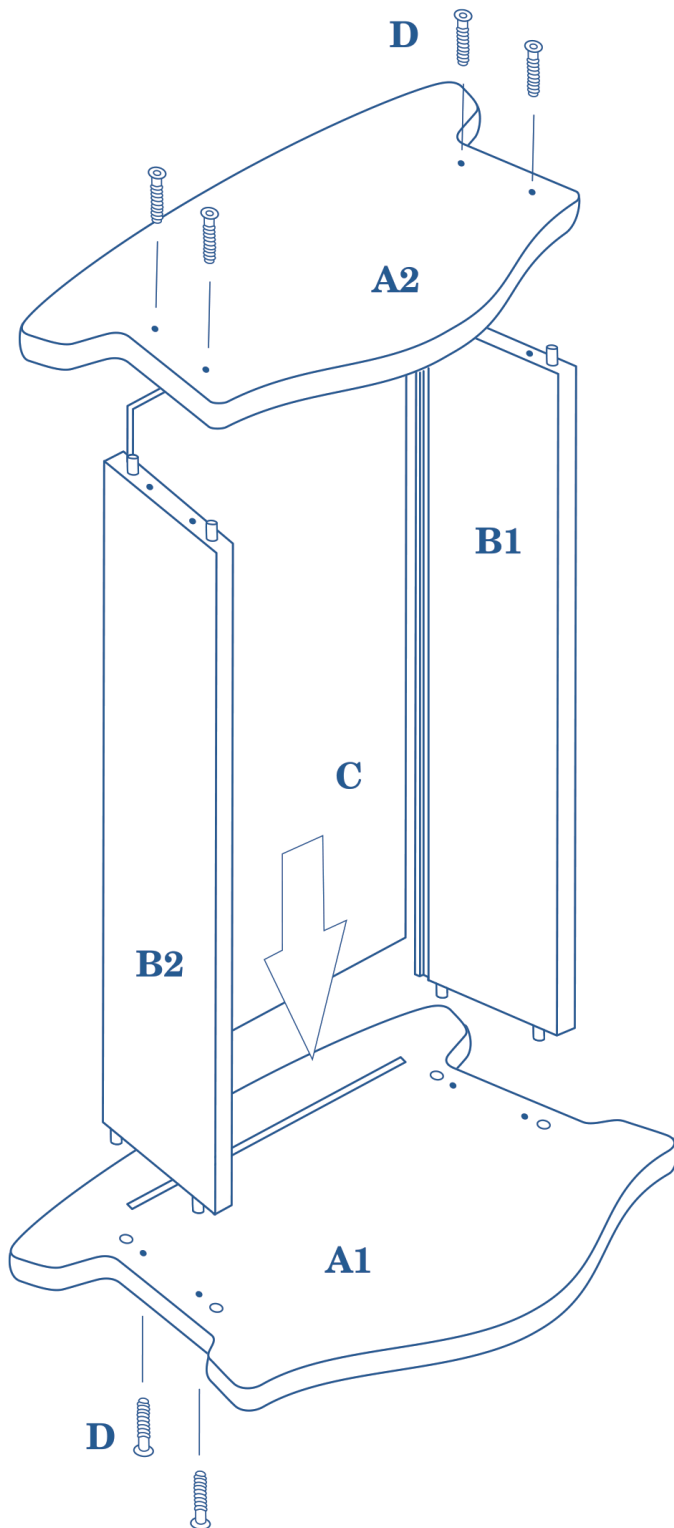
Bleach Solution

1 tablespoon bleach to 1 quart of water or 1/4 cup of bleach to 1 gallon of water.

Mix fresh solution every day to use it.

CAUTION
 Adult assembly required due to the presence of small parts, sharp edges, and / or sharp points.

Wooden Doll Cradle (continued)



Assembly:

Note: End panels and rails have grooves on the interior sides.

Lay Headboard (A1) on flat surface.

Insert Rails (B1, B2) into predrilled holes on Headboard.

Slide Bottom Panel (C) into groove on side rails (B1, B2) and into groove on Headboard.

Carefully place the Footboard (A2) into position. Be sure that wooden dowl pins on the rails are aligned with the corresponding holes on the interior of footboard and that the bottom panel is seated into the groove on the footboard.

Tap gently to seat position. Secure with screws (D) using an Allen wrench.

Unit should be carefully turned to the upright position. Secure headboard (A1) with screws (D) using an Allen wrench.