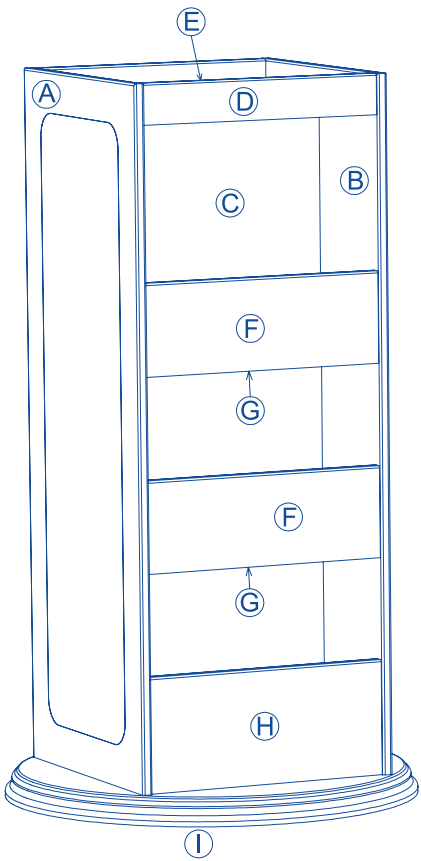




Spinning Dress-Up and Storage Unit

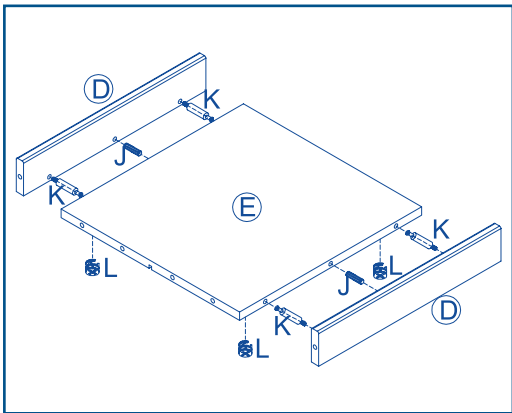
Here's What You Get!



	J Wood Peg
	36 pcs
	K Cam Lock Stud
	28 pcs
	L Cam Lock
	28 pcs

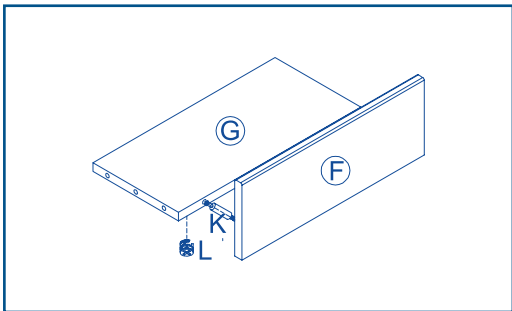
M Large Screw	N Nutsert	O Small Screw	P Wood Peg	Q Allen Wrench
4 pcs	4 pcs	6 pcs	6 pcs	1 pc

1. Insert wood pegs (J) and cam lock studs (K) to side panels (D). Attach each side (D) to top panel (E) using cam locks (L).



Step 1

2. Insert wood pegs (J) and cam lock studs (K) into side panel (F). Attach panel (F) to panel (G) using cam locks (L). You will make two complete shelf units.

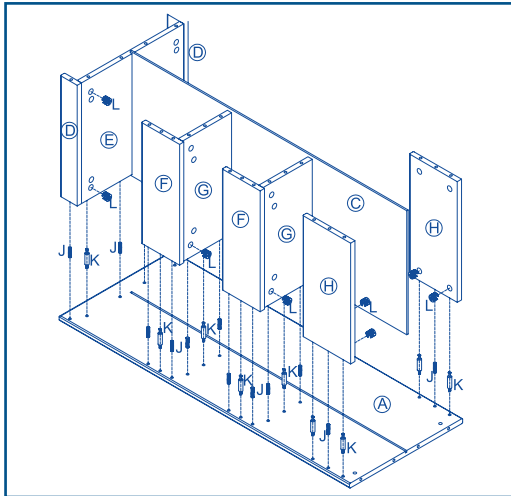


Step 2

WARNING
 Adult assembly required due to the presence of small parts, sharp edges and/or sharp points.

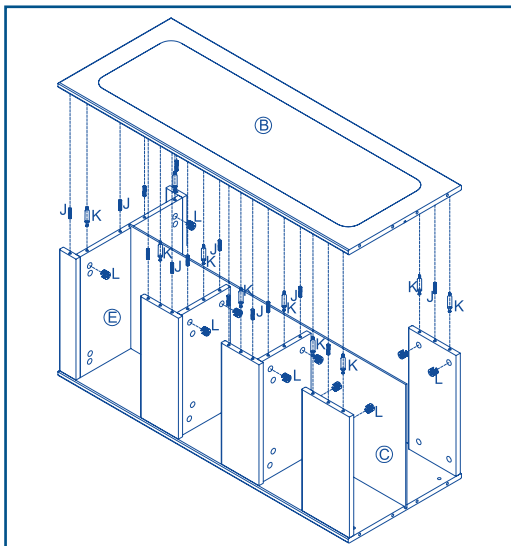
Spinning Dress-Up Storage Unit (continued)

3. Insert wood pegs (J) and cam lock studs (K) into large mirror panel (A). Attach top panel (E & D), both shelf assemblies (G & F), and bottom panels (H) to the mirror panel (A) using cam locks (L). Insert center divider (C).



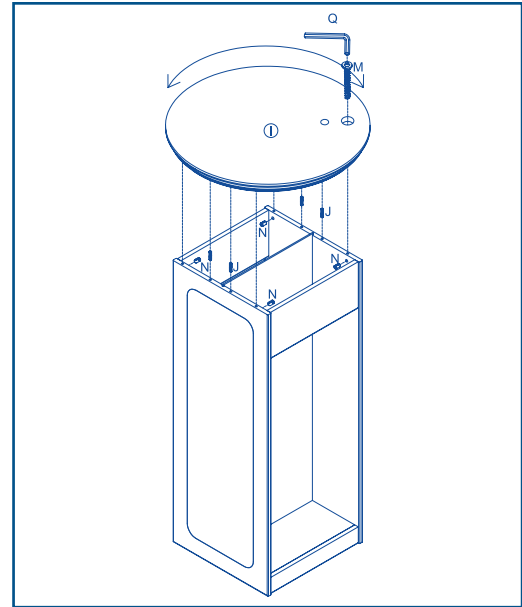
Step 3

4. Insert wood pegs (J) and cam lock studs (K) into second large mirror panel (A) and attach to assembly.



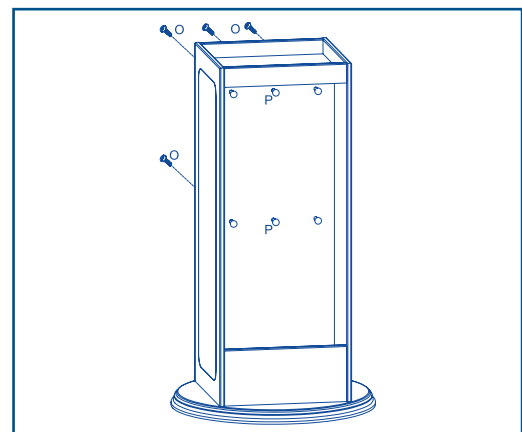
Step 4

5. Insert wood pegs (J) into the base of the dress up unit with the four nutserts (N) with the threaded holes facing up. Attach rotating base assembly (I) and insert the large screws (M) into the inserts (N). You will need to rotate the base and use the access hole.



Step 5

6. Use the small screw (O) to secure each of the wood pegs (P) into the six holes located in the center panel.



Step 6