

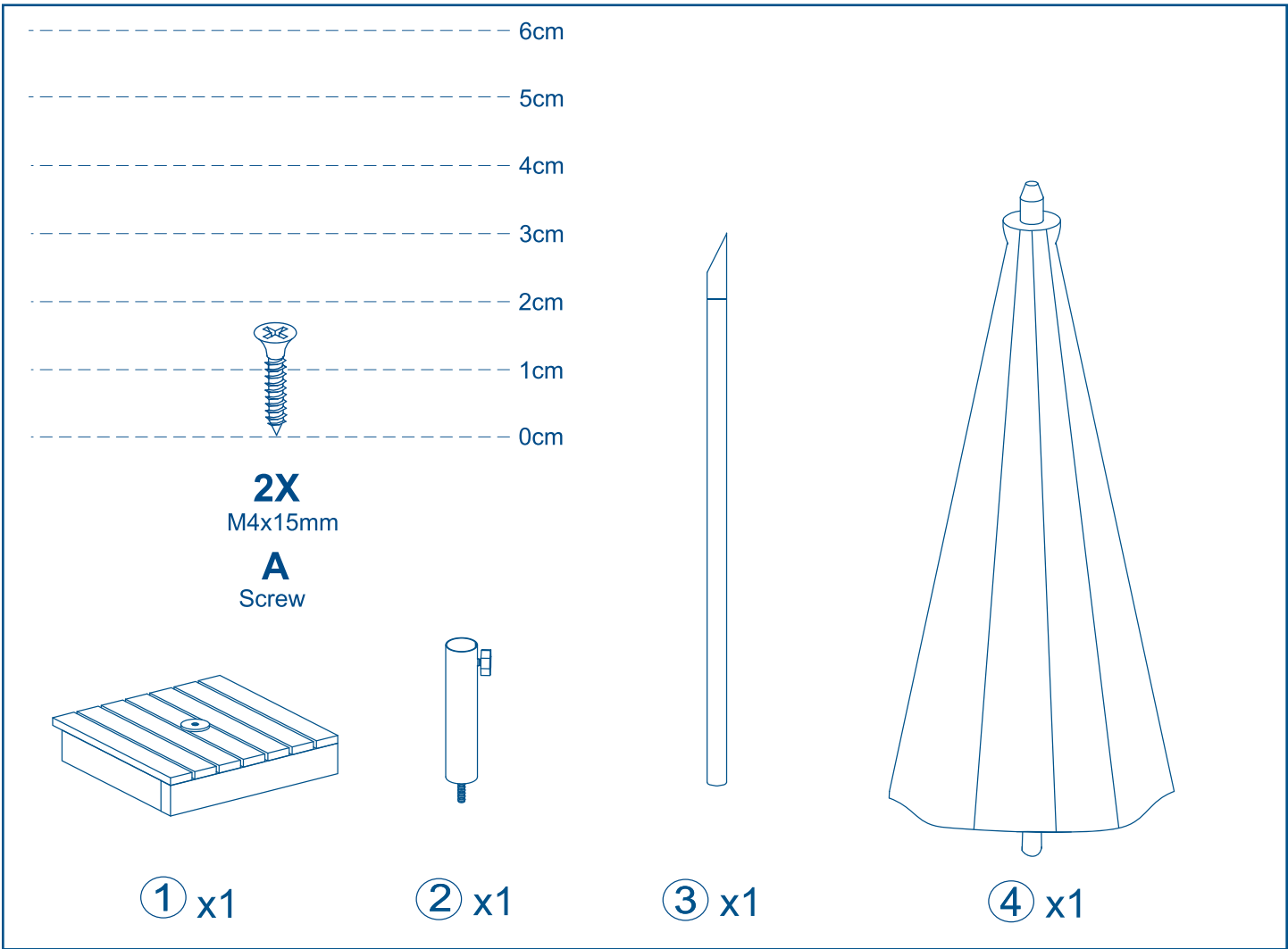


# Outdoor Picnic Table Umbrella

## Here's What You Get!

Check shipping box contents against Parts & Hardware List prior to assembly for correct parts and quantities.

### Parts:



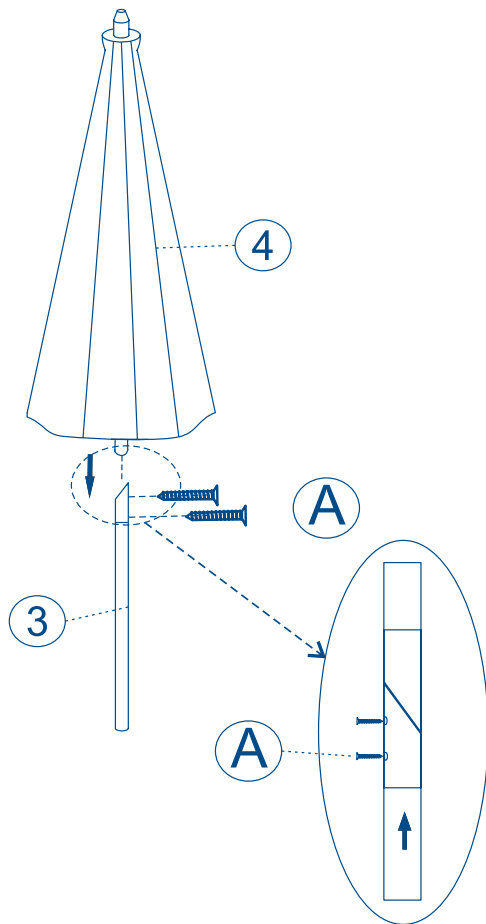
The umbrella is part of a set and is intended to be used with the picnic table. (#PICTAB / #PICTABX)

**⚠ WARNING**  
Adult assembly required due to the presence of small parts, sharp edges and/or sharp points.

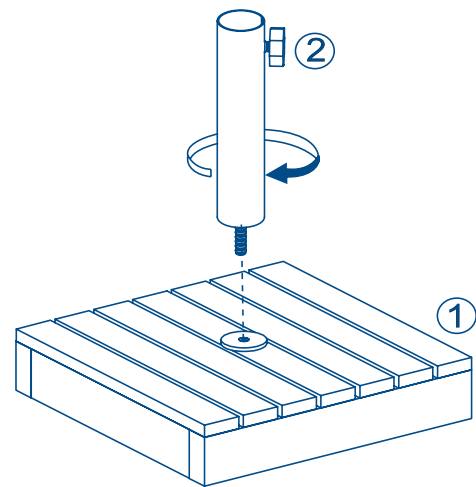
## Outdoor Picnic Table Umbrella

Assemble by matching Parts & Hardware List letter identifiers and quantities with Assembly Diagrams.

1.



2.



### Attention!

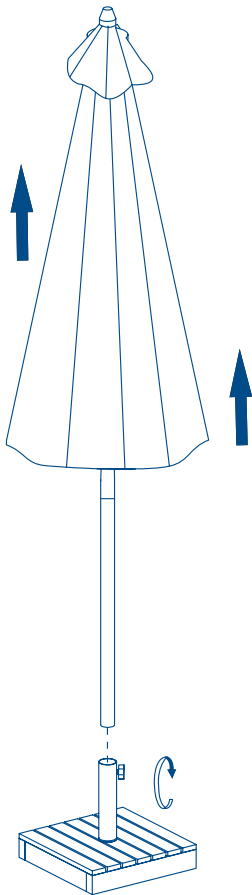
- The sharp tip of screws may scratch hands.
- Tighten all screws before use.
- Do not OVER tighten screws.
- Electric screwdrivers should NOT be used for assembly.
- Be sure to remove packaging, all rubber bands, wire ties and tags or fastenings from the product. They are not part of this product and must be removed and discarded before use.

Keep this packaging for future reference since it contains important information. Adult assembly required. Read enclosed instructions before use. **SPECIFICATIONS, COLORS AND CONTENTS MAY VARY FROM ILLUSTRATIONS.** Young children in play are unaware of potential dangers and hazards, therefore responsible adult supervision is essential.

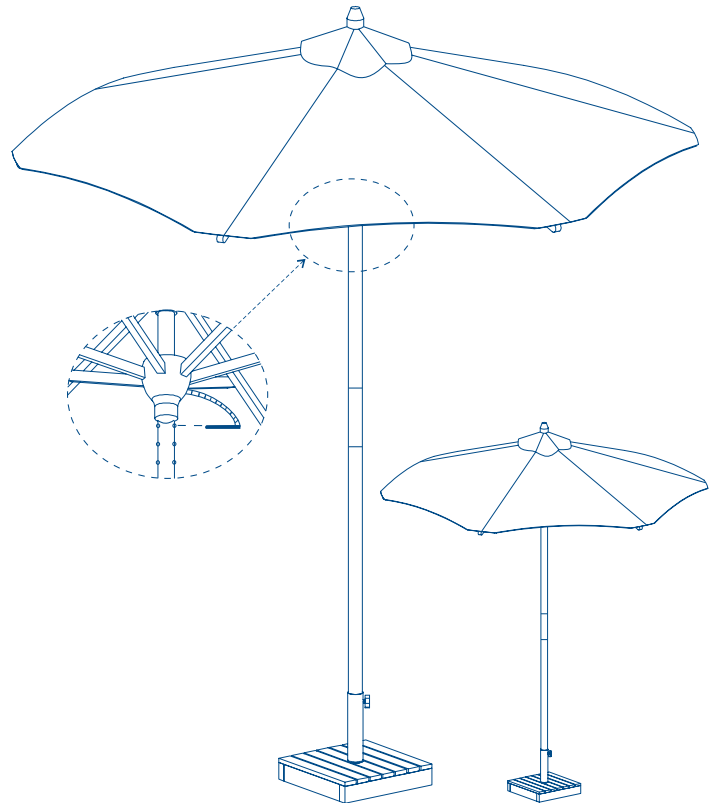
## Outdoor Picnic Table Umbrella

Assemble by matching Parts & Hardware List letter identifiers and quantities with Assembly Diagrams.

3.



4.



### Attention!

- The sharp tip of screws may scratch hands.
- Tighten all screws before use.
- Do not OVER tighten screws.
- Electric screwdrivers should NOT be used for assembly.
- Be sure to remove packaging, all rubber bands, wire ties and tags or fastenings from the product. They are not part of this product and must be removed and discarded before use.

Keep this packaging for future reference since it contains important information. Adult assembly required. Read enclosed instructions before use. **SPECIFICATIONS, COLORS AND CONTENTS MAY VARY FROM ILLUSTRATIONS.** Young children in play are unaware of potential dangers and hazards, therefore responsible adult supervision is essential.